

# Electr-O-Fuze™ Tuff Skin XL Pipe, Conforming to API 15LE

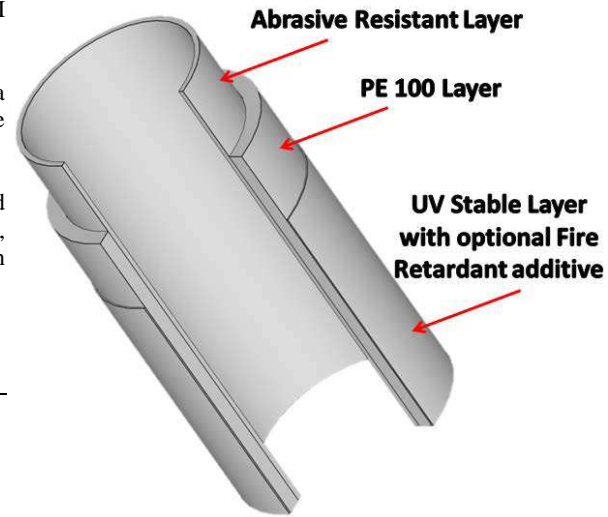
## Product Description

---

Electr-O-Fuze™ Tuff Skin XL's proven triple layer anti abrasive large bore Semi-Rigid HDPE pipe system, when used in conjunction with Electr-O-Fuze™ EF fittings and a Electr-O-Fuze™ EF welding machine or standard butt welding machine, provides an API 15LE compliant installation.

Tuff Skin XL's inner layer increases the service life of our HDPE pipe, offering a significant cost-savings potential due to extended intervals between required maintenance shutdowns.

Electr-O-Fuze™ Tuff Skin XL pipe sticks are available in IPS sizes from 8" to 18" and metric sizes from 180mm to 450mm. (Other sizes available on demand). Due to its rugged, noncorrosive construction and lightweight materials it provides a cost competitive solution with reduced installation time and is ideal for underwater applications.



## Applications

---

- Pipelines
- Dredging lines
- Moist and marshy areas
- Slurry Lines
- Fly Ash Lines
- Non-Contaminated and Contaminated sites
- Tar Sands

## Specifications

---

- Pipe Type : A three layered co-extruded pipe consisting of a White Outer Layer for reflecting sunlight, a Black middle structural layer, and an special inner layer of ABRASIVE RESISTANT material which outperforms abrasion on HDPE/RUBBER LINED STEEL/POLYURETHANE .
- Connections : Electr-O-Fuze™ EF couplers, with spigot elbows, tees, end caps for primary pipe and matching Electr-O-Fuze™ secondary fittings and electrofusion branch saddles or can be fused with but welding machines
- Transitions : Flange Adaptors, electrofusible spigot ends
- Operating Temperatures -40°F (-40°C) to 140°F (60°C)
- Operating Pressures SDR11 - Up to 232 psi  
SDR17 - Up to 150psi
- Pressure Safety Factor 2 times operating pressure
- Resistance to slurry Per Patterson Cooke Report 11211700 TW REP 0001 REV 0

## Installation

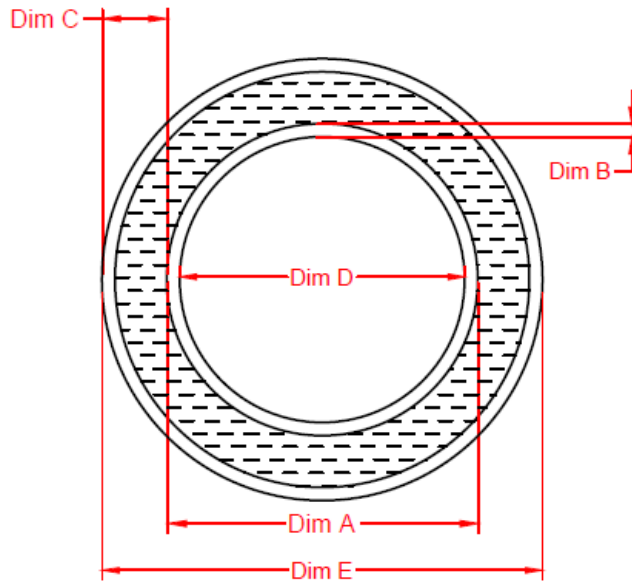
---

Installation, use, and maintenance of all Electr-O-Fuze™ products shall be in accordance with the manufacturer's recommendations, State and county approvals. In event of conflicts, the stricter requirement shall govern. (AEP installation manual available directly from AEP, or at info@aepipe.com).

## Certifications/Approvals/Conforms to:

---

- Patterson and Cooke Report 11-2117-00-PM-PRP-0001 Rev A 27 May 2016
- API 15LE Specification for Polyethylene Line Pipe
- ISO 4427 Plastic Pipe Systems – PE pipes and fittings
- ASTM D2239 Standard for HDPE pipe based on Controlled Inside Diameter

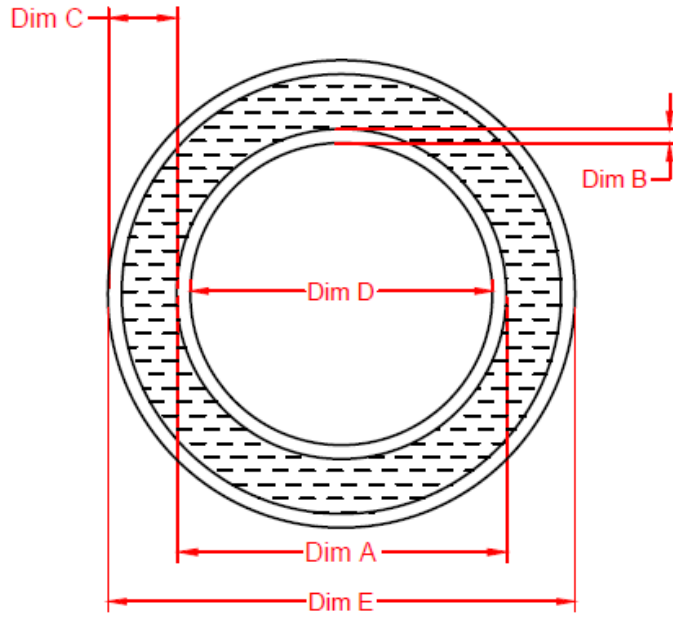


## Metric DR17

Size (mm)	Part Number	Dim A (mm)	Dim B (mm)	Dim C (mm)	Dim D (mm)	Dim E (mm)	Kg/ M	Lbs./Ft
180	AR3-000180-145-W-S	158.6	2.5	10.7	153.6	180	6.91	4.64
200	AR3-000200-145-W-S	176.2	2.5	11.9	171.2	200	8.53	5.73
225	AR3-000225-145-W-S	198.2	2.5	13.4	193.2	225	10.77	7.24
250	AR3-000250-145-W-S	220.4	2.5	14.8	215.4	250	13.30	8.94
280	AR3-000280-145-W-S	246.8	3	16.6	240.8	280	16.69	11.22
315	AR3-000315-145-W-S	277.6	3	18.7	271.6	315	21.12	14.19
355	AR3-000355-145-W-S	312.8	3	21.1	306.8	355	26.81	18.02
400	AR3-000400-145-W-S	352.6	3	23.7	346.6	400	34.04	22.87
450	AR3-000450-145-W-S	396.6	3.5	26.7	389.6	450	42.98	28.88

## Metric DR11

Size (mm)	Part Number	Dim A (mm)	Dim B (mm)	Dim C (mm)	Dim D (mm)	Dim E (mm)	Kg/ M	Lbs./Ft
180	AR3-000180-232-W-S	146	3	16.4	140	180	9.53	6.40
200	AR3-000200-232-W-S	162	3	18.2	156	200	11.76	7.90
225	AR3-000225-232-W-S	183	3	20.5	177	225	14.86	9.99
250	AR3-000250-232-W-S	203	3	22.7	197	250	18.35	12.33
280	AR3-000280-232-W-S	227	3.5	25.4	220	280	23.01	15.46
315	AR3-000315-232-W-S	256	3.5	28.6	249	315	29.12	19.55
355	AR3-000355-232-W-S	288	3.5	32.2	281	355	36.97	24.84
400	AR3-000400-232-W-S	325	3.5	36.3	318	400	46.94	31.54
450	AR3-000450-232-W-S	366	4	40.9	358	450	59.29	39.84



## IPS DR11

Size (in)	Part Number	Dim A (in)	Dim B (in)	Dim C (in)	Dim D (in)	Dim E (in)	Kg/ M	Lbs./Ft
8	AR3-0008.0-232-W-S	6.96	.12	.78	6.72	8.52	14.11	9.48
10	AR3-00010.0-232-W-S	8.68	.12	.98	8.44	10.64	21.91	14.72
12	AR3-00012.0-232-W-S	10.29	.14	1.16	10.01	12.61	30.82	20.71
14	AR3-00014.0-232-W-S	11.30	.14	1.27	11.02	13.84	37.17	24.98
16	AR3-00016.0-232-W-S	12.92	.14	1.46	12.68	15.84	48.93	32.61
18	AR3-00018.0-232-W-S	14.53	.16	1.64	14.21	17.81	61.40	41.26