

Electr-O-Fuze™ Transition Sump

Product Description

Electr-O-Fuze™ Sumps use a combination of proven technologies for its success, these are: Split sump principles for easy access during installation, safe and reliable proven electrofusion technology using closed wire principles for sealing when the installation is complete. Electr-O-Fuze™ Sumps also come with a fluorination option of the sump bottoms for extra protection against hydrocarbon leaks such as gasoline and diesel. When used with an Electr-O-Fuze™ EF welding machine, it provides an installation with a 30 year life span.

Sump covers are made of Aluminum for strength and corrosion prevention. All Sumps come with a level adjustable feature, ensuring level optimization on site.

Applications

- | | |
|--|--|
| <ul style="list-style-type: none"> ○ Service stations ○ Marinas ○ Transition Sumps ○ Joining Lines | <ul style="list-style-type: none"> ○ Airports ○ Non-Contaminated & Contaminated Sites ○ Valve Boxes |
|--|--|

Specifications

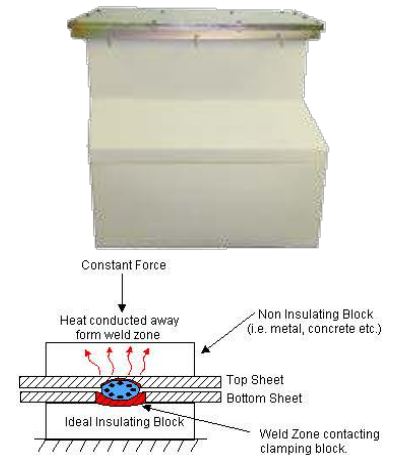
- | | |
|--|---|
| <ul style="list-style-type: none"> ○ Sump Type: | <p>Rotomolded Poly-ethylene sump is split into 2 parts for easy access during installation. Locator threaded inserts are installed on the sump base. The sump top has mirrored penetration holes in order to locate the sump top to the bottom. The bolts are also required to create even pressure over the sump recesses during the fusion process. The fusion wire, coupled with 'safe' low voltage operation (42V), while absolute security of the weld is ensured using the amperage/time feature in conjunction with the fully automatic Electr-O-Fuze™ EF welding machine.</p> <p>Electr-O-Fuze™ sumps have the option of having the base <u>fluorinated</u>, for maximum protection against hydrocarbons from the inside and outside.</p> |
| <ul style="list-style-type: none"> ○ Electrofusion Machine: | <p>Electr-O-Fuze™ EF welding machine with memory, bar code reader, printing and error reporting.</p> |
| <ul style="list-style-type: none"> ○ Temperature Range: | <p>Sumps can be worked with at ambient temperatures between -4°F and 150°F.</p> |
| <ul style="list-style-type: none"> ○ Test Vacuum: | <p>10"Hg over 24 hours</p> |
| <ul style="list-style-type: none"> ○ Approved Fuel Types: | <p>All Petroleum Products (<i>Motor Vehicle Fuels, High Blend Fuels, Concentrated Fuels, Aviation & Marine Fuels</i>) E85 and Biodiesel.</p> |
| <ul style="list-style-type: none"> ○ Dimensions: | <p>Base: 42" L x 28" W x 17.5" H (external)
 Top: fixed section 42" L x 28" W x 10.5" H
 Top: adjustable section 36" L x 17" W x 13" H (adjustable)</p> |

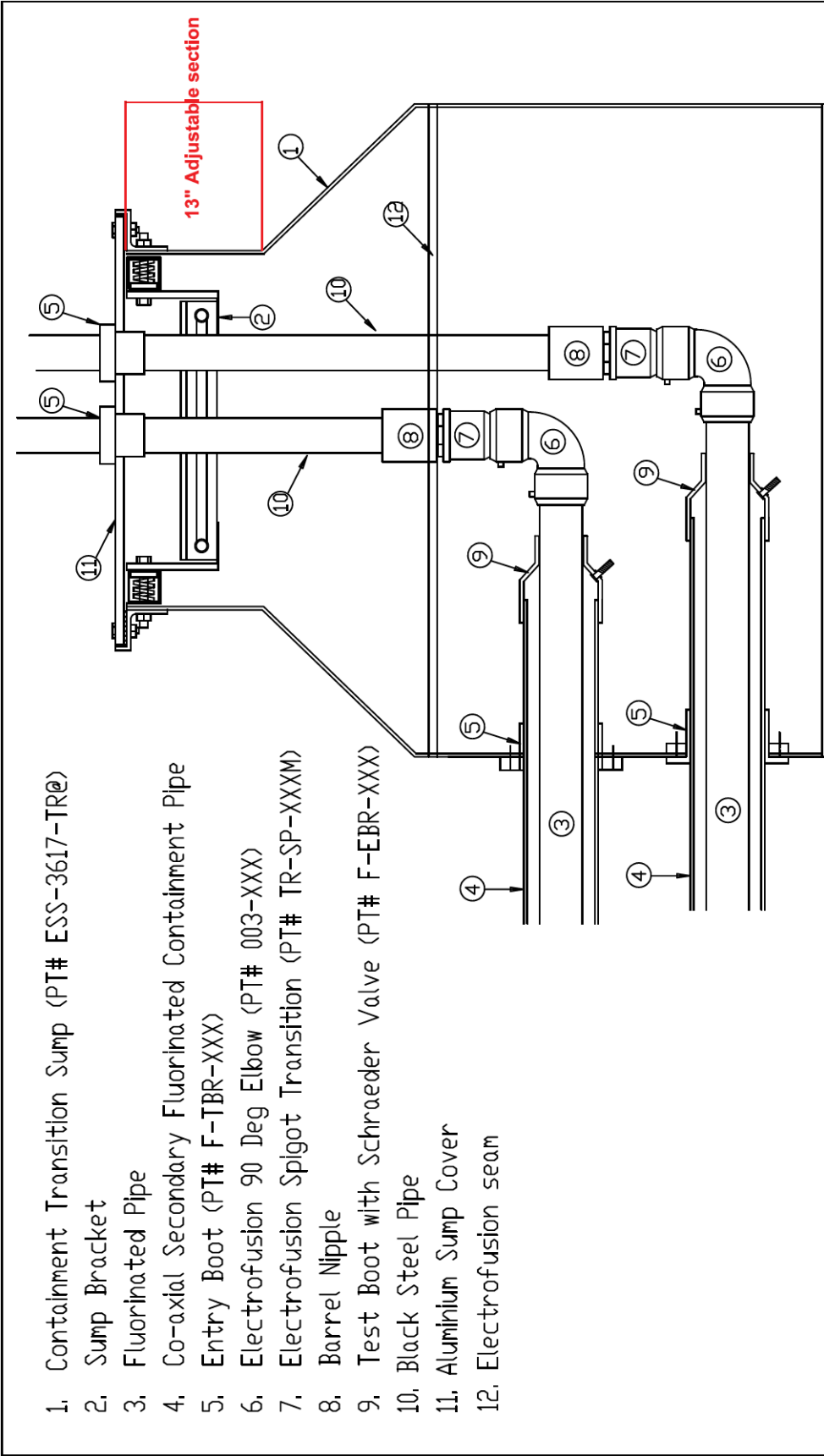
Installation

Installation, use, and maintenance of all Electr-O-Fuze™ products shall be in accordance with the manufacturer's recommendations, State and county approvals. In event of conflicts, the stricter requirement shall govern. AEP installation manual available directly from AEP, or at info@aep-inc.net. All operators to be AEP certified on both the fittings and electrofusion machine.

Certifications/Approvals

- | | |
|---|--|
| <ul style="list-style-type: none"> ○ State of Florida ○ State of Michigan | <p>EQ 683 and EQ 617 – and Derm Approval
 MUSTR – Rule 9, subsections 280.20 (b)</p> |
|---|--|





- 1. Containment Transition Sump (PT# ESS-3617-TR@)
- 2. Sump Bracket
- 3. Fluorinated Pipe
- 4. Co-axial Secondary Fluorinated Containment Pipe
- 5. Entry Boot (PT# F-TBR-XXX)
- 6. Electrofusion 90 Deg Elbow (PT# 003-XXX)
- 7. Electrofusion Spigot Transition (PT# TR-SP-XXXX)
- 8. Barrel Nipple
- 9. Test Boot with Schraeder Valve (PT# F-EBR-XXX)
- 10. Black Steel Pipe
- 11. Aluminium Sump Cover
- 12. Electrofusion seam

A	31/03/2002	SPECIFICATION REV 2
REV	01/11/2003	DESCRIPTION
SCALE : NTS		DATE : July 10
DRAWN : G. Boyazls		
APPROVED :		
DRAWING NO. :		TRS-AEP001

PROJECT
STANDARD DETAILS
 DRAWING TYPICAL PIPE FITTING LAYOUT -
 TRANSITION SUMP

ADVANTAGE EARTH PRODUCTS INC.