

Electr-O-Fuze™ 90° Elbow, UL971 Listed

Product Description

Electr-O-Fuze™ EF fittings are safe, reliable and a proven electrofusion technology using open wire principles. Electr-O-Fuze™ EF couplers are the only fittings used in petroleum industry to also be tested and approved for use with natural gas and low pressure gas, thus providing unparalleled quality and protection. When used in conjunction with Electr-O-Fuze™ pipe and an Electr-O-Fuze™ EF welding machine, it provides a UL971 compliant fuel installation with a 30 year life span.

Electr-O-Fuze™ fittings are available in sizes from ½” to 30” nominal bore. All 90° Elbows conform to 2 times the ISO requirements for electrofusion fittings, making it the safest electrofusion fitting in the petroleum industry.

Applications

- Service Stations
- Refineries
- Marinas
- Harbors
- Fuel Terminals
- Airports
- Moist & Marshy Areas
- Non-Contaminated & Contaminated Sites

Specifications

- Fitting Type: Matched electrofusion fittings are utilized throughout the pipeline system in order to join the various pieces. Deep sockets and ‘safe’ low voltage operation (42V), applied through dedicated ancillary equipment ensures maximum joint integrity. Fusion indicators monitor the joint melt pressure, while absolute security of the weld is ensured using the fittings bar code feature in conjunction with the fully automatic Electr-O-Fuze™ EF welding machine.
- Electrofusion Machine: Electr-O-Fuze™ EF welding machine with memory, bar code reader, printing and error reporting.
- Temperature Range: Fittings can be worked with at ambient temperatures between –24°F and 160°F.
- Pipe Fusion Range: The fittings can be fused to pipe of SDR stages 17.6 to 7.4 in accordance with DIN 8074 (E), ISO 4437, pr EN 1555 and DIN EN 12201 (E).
- Operating Pressures: 150psi primary.
- Test Pressure: Primary >60psi <150psi.
- Approved Fuel Types: All Petroleum Products (*Motor Vehicle Fuels, High Blend Fuels, Concentrated Fuels, Aviation & Marine Fuels*) E85 and Biodiesel.

Installation

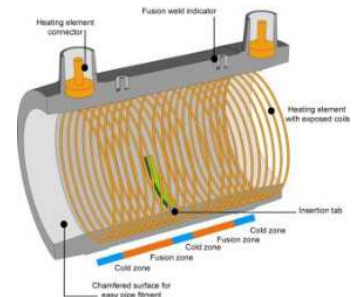
Installation, use, and maintenance of all Electr-O-Fuze™ products shall be in accordance with the manufacturer’s recommendations, State and County approvals. In the event of conflicts, the stricter requirement shall govern. AEP installation manual available directly from AEP, or at info@AEP-inc.net. All operators to be AEP certified on both the fittings and electrofusion machine.

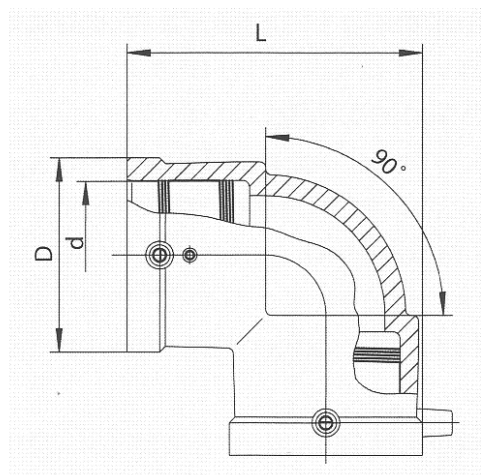
Certifications/Approvals

- UL 971 Approved File # MH47372
- Institute of Petroleum Cert # BC63/1010/98/001 And cert # BC63/0115/2000/001
- Shell Int. Procurement Cert. Cert # BC63/1010/98/002
- State of Florida EQ 683 and EQ 617 – and Derm Approval
- State of Michigan MUSTR – Rule 9, subsections 280.20 (b)
- New York City Fire Dept. CoA 5117
- DOT 192 and 195 On waiver letter per project
- DVGW Permit VP 607, with decisions DV-8601AU2248, DV-8606AU2249 and DV-8611AU2250
- Factory Permit DIN EN 10 204-3.1
- State of California CARB, State Fire Marshall Cert # GVRC 005:060:001



Frielen EF safety fitting (Cut-away view with element intact)





Diam. NB* inches	Diam. OD** metric	Part #	Dim D		Dim d		Dim L		Weight kg/ea	Weight lbs/ea
			mm	in.	mm	in.	mm	in.		
1"	32	003-032EF	57	2.2	32	1	85	3.3	0.104	0.23
1¼"	40	003-040EF	69	2.7	40	1¼	94	3.7	0.159	0.35
1½"	50	003-050EF	80	3.1	50	1½	116	4.5	0.212	0.47
2"	63	003-063EF	92	3.6	63	2	133	5.2	0.313	0.69
3"	90	003-090EF	126	4.9	90	3	200	7.8	0.953	2.10
4"	110	003-110EF	150	5.9	110	4	214	8.4	1.563	3.44
6"	160	003-160EF	223	8.7	160	6	328	12.9	2.029	4.46

(*) Nominal Bore

(**) Outside Diameter