

Entry Boots and Test Boots

Product Description

Rubber entry and test boots are manufactured of Ultra High Nitrile rubber, rendering them fuel and ozone resistant. The selection of rubber is specially designed to have negligible swell in all fuels including E85 and Biodiesel. The boots also have a lower shore hardness rubber compound for better sealing at the interface of the sump and the boot. The test boots are manufactured of the same compound. All other components, nuts, bolts and backing rings are manufactured from non corrodible materials, brass and glass reinforced nylon respectively.

The boots are available in sizes from ¾" to 6" nominal bore, and in more than 25 variants enabling any application to be sealed using the boots. All boots are designed and supplied to allow single wall entry and/or double wall pipe termination in the boot.



Applications

- Service stations
- Marina's
- Non-Contaminated and Contaminated sites

Specifications

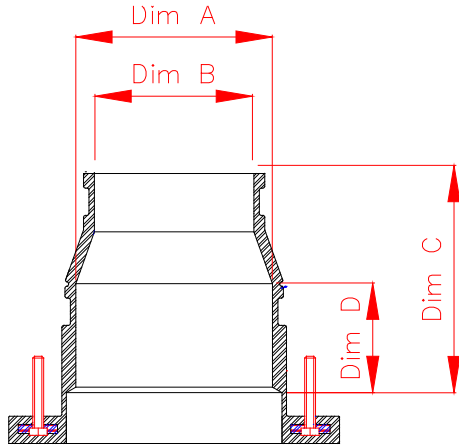
- Boot Type : Ultra High Nitrile Rubber, with brass nuts and bolts and glass reinforced nylon stiffener and backing rings. Test boots come with or without schraeder valves as required
- Hole Penetrations : 2" and ¾" boots – hole saw (3")
4", 3" and 2.5" boots – hole saw (5")
- Temperature range : Boots can be worked with at ambient temperatures between -4°F and 160°F.
- Operating pressures 5 psi maximum
- Test pressure 8 psi
- Approved Fuel Types : All Petroleum Products (Motor Vehicle Fuels, High Blend Fuels, Concentrated Fuels, Aviation & Marine Fuels) E85 and Biodiesel
- Test ports : Either ¼" or 3/8 "
- Sizes : ½, ¾", 1", 1½", 2", 2½", 3" and 4". Also available in reduction boots 1½" to 2", 4" to 2", 4" to 1½", 3" to 2½" to 2", 4" to 3" and 5" to 4"

Installation

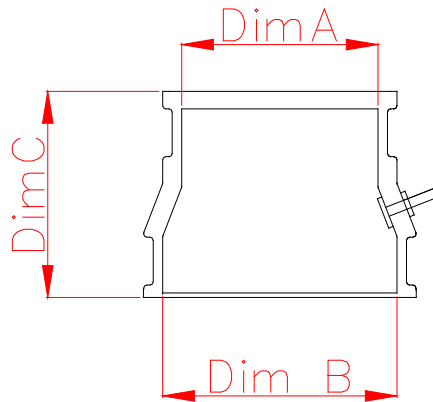
Installation, use, and maintenance of all rubber boot products shall be in accordance with the manufacturer's recommendations, State and County approvals. In event of conflicts, the stricter requirement shall govern. (AEP installation manual available directly from AEP, or at info@aep-inc.net)

Certifications/Approvals

- State of Florida EQ 683 and EQ 617
- Derm Approval
- State of Michigan MUSTR – Rule 9, subsections 280.20 (b)
- New York City CoA CoA 5117
- State of California CARB, State Fire Marshall Cert # GVRC 005:060:001



Diam. NB* inches	Diam OD** Metric	Part #	Dim A		Dim B		Dim C		Dim D		Weigh Lbs/each
			mm	In.	mm	In.	mm	In.	mm	In.	
4"	110	F-EBR-4	110	4.3"	90	3.54"	180	7.09"	132	5.2"	1.5



Diam. NB* inches	Diam OD** Metric	Part #	Dim A		Dim B		Dim C		Dim D		Weigh Lbs/each
			mm	In.	mm	In.	mm	In.	mm	In.	
4/3"	110/90	F-TBR-TP-3	110	4.3"	90	3.54"	73	2.85"			1.98
6/4"	169/110	F-TBR-TP-6-4	169	5.0"	110	4.3"	70	2.75"			3.30